



**ADDENDUM NO. 4**

DATE: June 17, 2021

PROJECT: Lake Ouachita Water Supply Project  
Contract 3 – Raw Water Transmission Pipeline (REBID)  
Hot Springs, Arkansas

BID DATE: June 28, 11:00 AM (see below)

---

This Addendum forms a part of the Contract Documents and modifies the original documents provided to Bidders, as noted below. Acknowledge receipt of this Addendum in the space provided in the BID FORM. Failure to do so may subject the Bidder to disqualification.

**Item No. 1. Drawings – Sheet 29 (not re-issued)**

- a. Change Water Line Bedding Details B.1, B.2. and B.3 to be for Steel Pipe Only. Bedding Material shown on the details are defined as the “Pipe Zone” (not re-issued).
- b. On Details B.1 and B.3 the gravel bedding extends 6 inches above the pipe.
- c. On Detail B.3. strike “Crushed Rock (3/8”-1 ½” Max) or” from the note for backfill above the pipe zone (not re-issued).
- d. Add Water Line Bedding Details B.4, B.5, and B.6 for Ductile Iron Pipe, with changes summarized as follows (See attached):
  - Pipe zone backfill (gravel) material to springline of pipe,
  - Non-roadways to have common fill above springline, and
  - Roadways to have AHTD Class 7 backfill above springline.

**Item No. 2. Specifications – Section 312300 Trench Excavation, Backfill, and Compacting (Not re-issued)**

- a. Replace the language in section 2.3.A. as follows:

*Common fill (defined in section 2.3.B & C.) is to be placed and compacted (see Section 3.11) above the pipe zone backfill material, as defined in the details on the drawings, except where trench excavations cross areas that sustain repeated traffic loads, such as roadways and driveways (see Section 2.4.A.).*
- b. Replace the language in section 3.10.E. as follows:

*Lightly compact backfill from horizontal centerline (springline) to 6 inches above crown of pipe with approved backfill material as shown on the details in the drawings.*
- c. Replace the language in section 3.11.A. as follows:

*Trench backfill to be placed and compacted in an area above the pipe zone backfill material as defined on the details in the drawings.*

**Addendum No. 1 – Contract 3 Raw Water Pipeline (Rebid) – Lake Ouachita Water Supply – City of Hot Springs**

**Item No. 3. Specifications – Section 331100 – Water Pipe and Fittings (not re-issued)**

- a. Replace language of Section 1.3.E. Submittals as follows:

*E. Contractor shall provide a summary and supporting calculations for required restrained pipe lengths for the entire project. All thrust calculations shall be performed using DIPRA guidelines and DIPRA's restraint joint calculator.*

**END OF ITEMS**

All other provisions of the Contract Documents remain unchanged. Acknowledge receipt of this addendum on the Bid Form. Bids must be received at Hot Springs City Hall, 133 Convention Blvd, Hot Springs, 71701 by 11:00 AM on June 28, 2021.

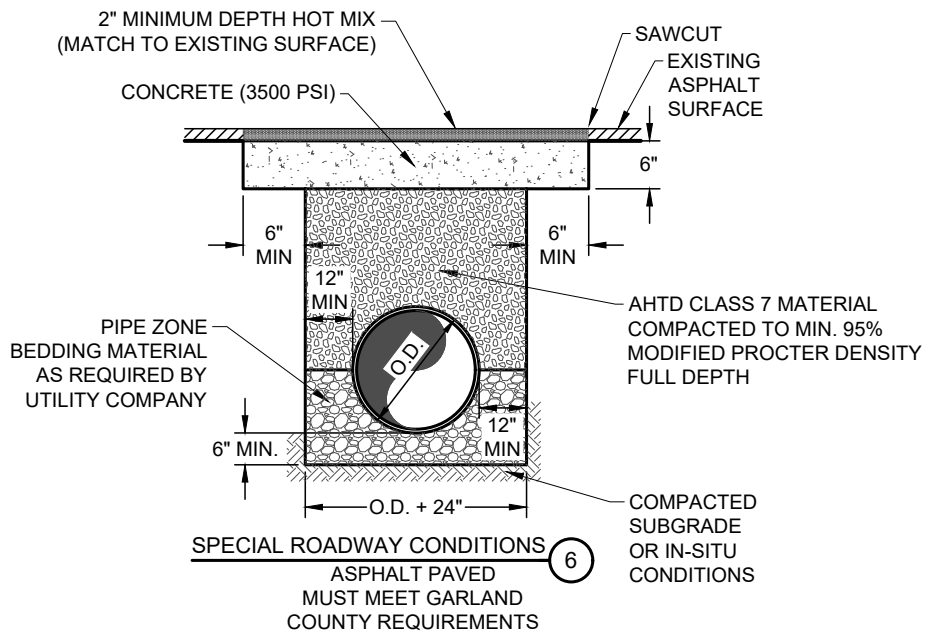
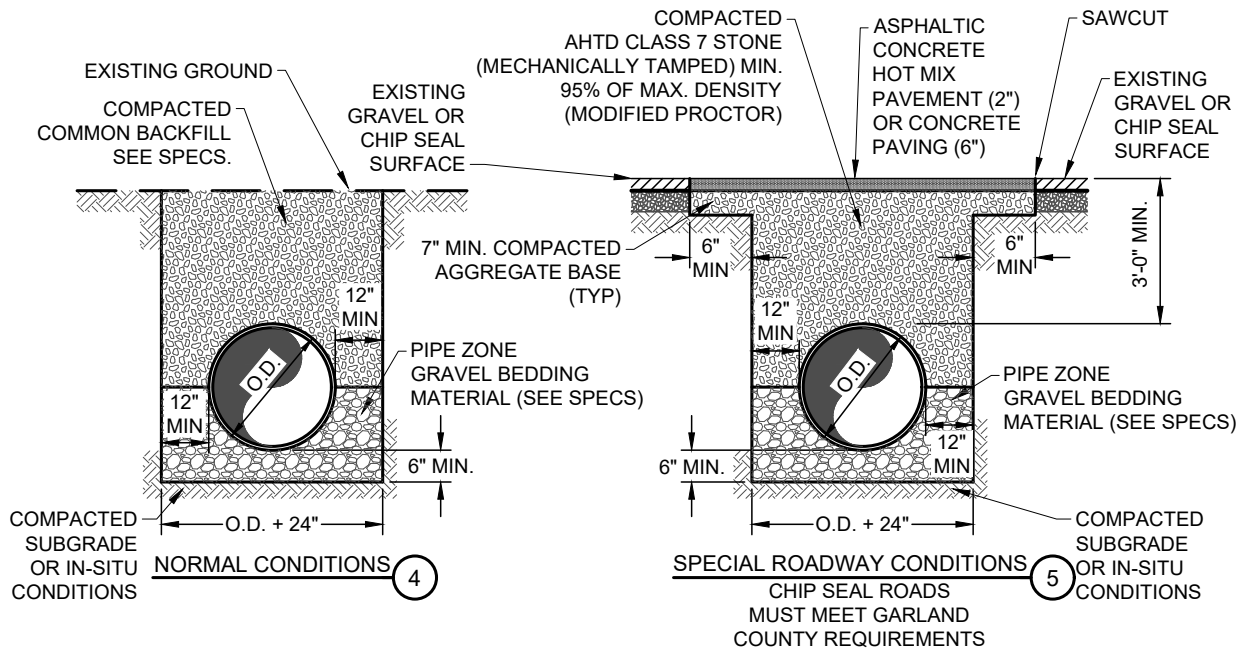


6/17/21

---

Kelly D. Vanlandingham, PE (Crist Engineers, Inc.)

Date



## DUCTILE IRON WATER LINE BEDDING

N.T.S.

### FOR ADDENDUM NO. 4



**CRIST ENGINEERS, INC.**  
CONSULTING ENGINEERS

GARLAND COUNTY, ARKANSAS

CITY OF HOT SPRINGS UTILITY DEPARTMENT  
LAKE OUACHITA WATER SUPPLY PROJECT  
RAW WATER TRANSMISSION PIPELINE  
WATER LINE BEDDING FOR DUCTILE IRON

DESIGNED: KDV

DRAFTED: RDW

CHECKED: KDV

DATE: JUNE 2021

JOB NO.: 1926